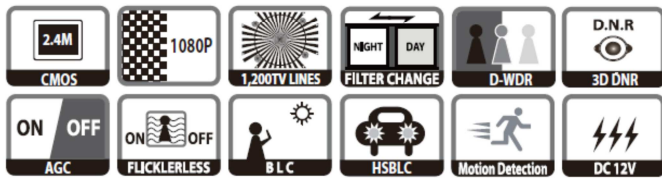


# KLIS 521VR

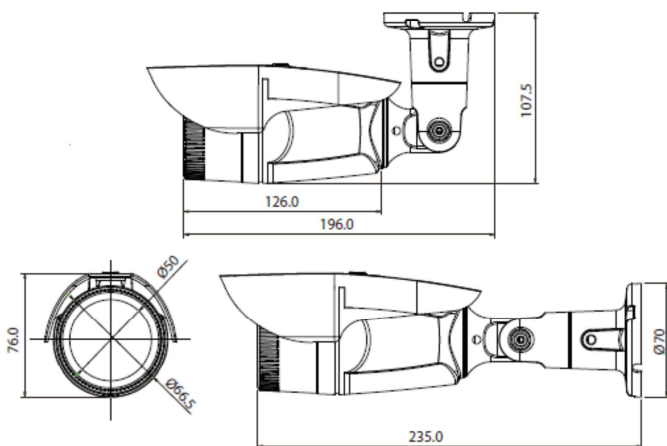
## FEATURES

- 1/2.8" 2.4 Mega Pixel SONY CMOS
- HD Resolution :
  - Digital: AHD 1080P 30fps
  - Analog: CVBS 720P NTSC/PAL
- D-WDR (Digital WDR)
- DNR (Digital Noise Reduction : 2D + 3D)
- Privacy Mask Fuction
- Motion Dectection
- Defog : Defogging foggy video image
- 2.8~12mm Mega Lens
- True Day & Night (ICR)
- Video Output:
  - AHD, CVBS
- Built-in IR LED 20pcs  
(Night View Distance 15m)
- Weatherproof (IP67)
- UTC



## DIMENSIONS

unit : mm



## 2.4 Mega Pixel AHD True Day & Night IR Bullet Camera

Image Sensor	1/2.8" 2.4 Mega Pixel SONY CMOS
Scanning system	Progressive
Resolution	Digital : 1920Hx1080P, Analog : NTSC/PAL CVBS
Total Pixels	2000(H) x 1241(V) = 2.48 M pixel
Active pixels	1984(H) x 1225(V) = 2.43 M pixel
Shutter Speed	AUTO / MANUAL (1/50(1/60) ~ 1/50,000)
Min. illumination	Color : 1.0 lux , BW : 0.5lux Color Dss:0.002 Lux / BW DSS : 0.001 Lux
S/N Ratio	more than 50dB (AGC off)
AGC	Off / 0 ~15
SENS UP	Off / / x2 ~ x30
DAY & NIGHT	Auto / COLOR / B&W / EXT
WHITE BALANCE	ATW / AWC / INDOOR / OUTDOOR / Manual /AWB
Backlight	Off/BLC / HSBLC
MIRROR	Off / H / V / H&V / ROTATE
WDR	Off / 0 ~ 8
DNR	Off / LOW / Middle / High
PRIVACY	4 Masks
MOTION	Off / On
DEFOG	Off / Auto
Language	English/Chinese/Germany/French/Italian/Spansh/ Polish/Russian/Portuguese/Netherlands/Turish
Day & Night System	ICR
Video Output	AHD, CVBS
IR LED	20 pcs
Night View Distance	Indoor 15m
Lens	2.8~12mm Mega Lens
Power Consumption	DC12V 300mA
Operating Temperature	-10℃ ~50℃ (Humidity : 0%RH ~ 80%RH)
Storage Temperature	-20℃ ~60℃ (Humidity : 0%RH ~ 80%RH)
Dimension(mm)	66ø) x 126(L)
Weight	Approx. 0.75kg